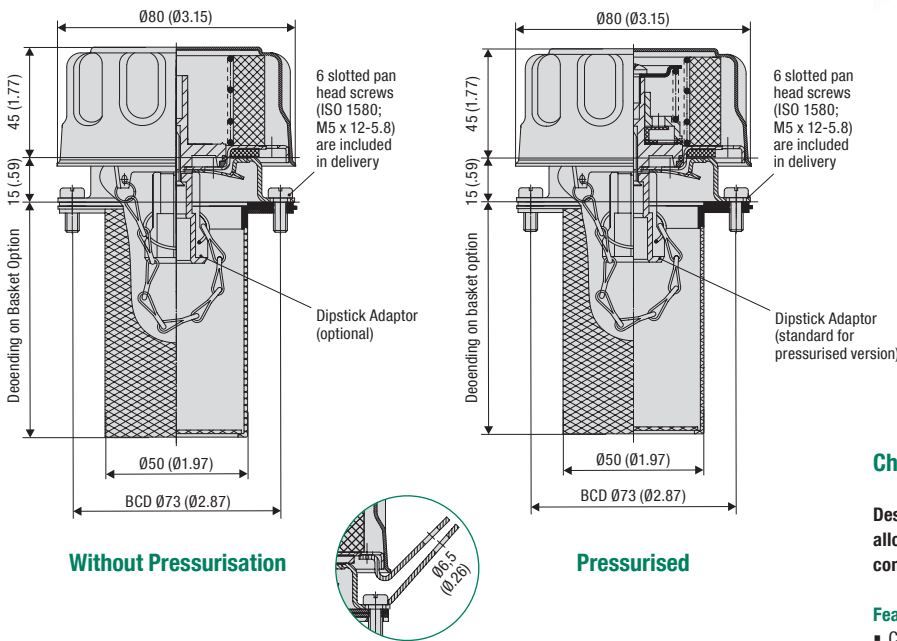


## Metal Filler Breather Type SMBB-80 (Bayonet Version)

B



### Characteristics

Designed to be used as filler ports for hydraulic reservoirs, allowing the reservoir to breathe whilst protecting it from contamination found in harsh environments

### Features

- Cap diameter of Ø80 mm / Ø3.15 in
- Bayonet version with a six-hole bolt pattern for flange interfaces similar to DIN 24557, part 2
- Operating temperature range: -30 °C ... +120 °C / -22 °F ... +248 °F

### Materials

- Breather cap made of Steel, zinc/nickel-plated (Fe/Zn Ni 6) and free of hexavalent chromium CrVI (standard option); chrome-plated and epoxy-coated versions available
- Bayonet flange made of Steel, zinc-plated
- Basket made of Steel, zinc-plated or Polyamide (PA)
- Dipstick adaptor made of Polyamide (PA)
- Sealings made of Cork (for filler breathers without pressurisation) or NBR (Buna-N®) (for pressurised filler breathers)

Contact STAUFF for alternative materials.

### Accessories / Options

- Metal or plastic basket (800 µm)
- Pressurisation up to 0,7 bar / 10PSI
- Air filter element
- Locking feature
- Dipstick adaptor (suitable for plastic dipstick DS-1)
- Plastic dipstick with integrated anti-splash feature
- Plastic dipstick with integrated magnet

Please see page 26 for details.

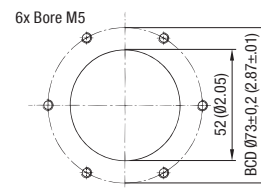
### Maximum Air Flow Rate

- 0,45 m³/min / 15.89 cfm

Contact STAUFF for detailed air flow curves.

### Installation

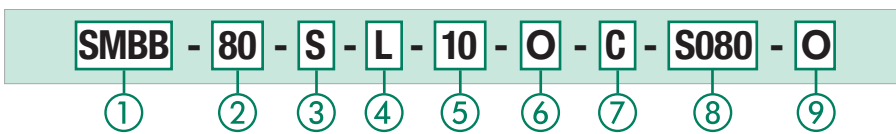
- Six-hole bolt pattern for flange interfaces similar to DIN 24557, part 2:



- 6 slotted pan head screws (ISO 1580 M5 x 12-5.8) are included in delivery; can be replaced by regular M5 bolts, if required

**Locking Feature**  
(Recommended mounting space: Ø126 mm / Ø4.96 in)

### Order Codes



#### 1 Type / Version

Metal Filler Breather; Bayonet version **SMBB**

#### 2 Cap Diameter / Material / Surface Finishing

Cap diameter Ø80 mm (Ø3.15 in); Breather cap made of Steel, zinc/nickel-plated (standard option) **80**  
 Cap diameter Ø80 mm (Ø3.15 in); Breather cap made of Steel, chrome-plated **80C**  
 Cap diameter Ø80 mm (Ø3.15 in); Breather cap made of Steel, epoxy-coated **80E**

#### 3 Label

With STAUFF logo (standard option) **S**  
 Neutral design without any logo **N**

#### 4 Locking Feature

Without locking feature (standard option) **O**  
 With locking feature (see drawing above) **L**

#### 5 Air Filter Element (Material / Micron Rating)

Without Breather Function **O**  
 3 µm Filter Paper **03**  
 10 µm Foam / PUR (standard option) **10**  
 40 µm Foam / PUR **40**

Contact STAUFF for alternative materials / micron ratings.

#### 6 Pressurisation

Without pressurisation (standard option) **O**  
 Pressurised at 0,35 bar / 5 PSI **B0.35**  
 Pressurised at 0,7 bar / 10PSI **B0.7**

Please see page 26 for details.

#### 7 Sealing Material

Cork (for filler breathers without pressurisation) **C**  
 NBR (Buna-N®) (for pressurised filler breathers) **B**

#### 8 Basket Option

Without basket **O**  
 Metal basket (80 mm / 3.15 in) (standard option) **S080**  
 Plastic basket (95 mm / 3.74 in) **S095P**  
 Metal basket (100 mm / 3.94 in) **S100**  
 Metal basket (150 mm / 5.91 in) **S150**  
 Metal basket (200 mm / 7.87 in) **S200**

#### 9 Dipstick

Without dipstick (standard option) **O**  
 Dipstick adaptor (suitable for dipstick DS-1) **A**  
 With dipstick adaptor and plastic dipstick DS-1 (300 mm / 11.81 in) with integrated anti-splash feature **D300**  
 Plastic dipstick (300 mm / 11.81 in) with integrated magnet **D300M**

A shorter dipstick length can be achieved by simply cutting down the total length according to individual requirements.

Please note: The dipstick adaptor is required for the subsequent installation of plastic dipsticks DS-1 (see page 26 for details), and is content of delivery when ordering a pressurised version.

